

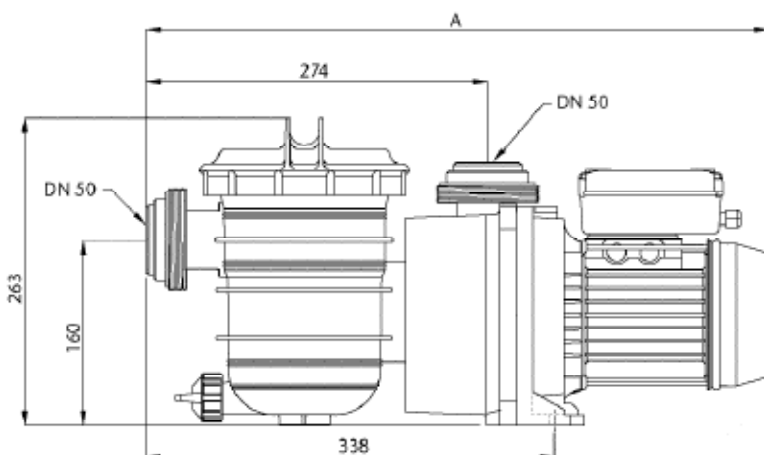
Swimmey™

- Self-priming pump with prefilter for swimming pools
- Designed to achieve maximum operational reliability in filtering and recirculating water treated with chlorine
- Suitable for continuous use
- Includes 2 meter cord for direct plug installations
- Swivel unions included for easy assembly
- Thermal protection on single phase units



Model	kW	HP	Volt	Phase
P7242380	0,18	1/4	220-240V	1~
P7242390	0,25	1/3	220-240V	1~
P7242160	0,37	1/2	220-240V	1~
P7242230	0,37	1/2	380-420V	3~
P7242170	0,50	3/4	220-240V	1~
P7242240	0,50	3/4	380-420V	3~
P7242180	0,75	1	220-240V	1~
P7242250	0,75	1	380-420V	3~
P7242220	1,00	1,3	220-240V	1~
P7242260	1,00	1,3	380-420V	3~
P7242270	1,13	1,5	220-240V	1~
P7242280	1,13	1,5	380-420V	3~
P7242290	1,50	2	220-240V	1~
P7242300	1,50	2	380-420V	3~

Union Kit included (p 88) / Anschluss-Set inbegriffen (S 88) / Verbindingskit inbegrepen (p 88) / Kit Union inclus (p 88) / Kit de uniones incluido (p 88) / Kit giunti incluso (p 88)



Model	A mm
P7242380	565
P7242390	565
P7242160	565
P7242230	565
P7242170	565
P7242240	565
P7242180	590
P7242250	590
P7242220	610
P7242260	610
P7242270	635
P7242280	635
P7242290	635
P7242300	635

