

SILENSOR[®] PRO
by DAVEY

Premium VSD400

ADVANCED POOL PUMP

APPLICATION

Ideal for pool filtration, in-floor pool cleaning systems, connection to external pool controllers, heat pumps and gas heaters.



RJ45



residential



pool pump

ULTRA QUIET, WATER COOLED PUMP WITH ADAPTIVE SPEED TECHNOLOGY

- > High efficiency variable speed – saves money for the consumer
- > Constant flow compensation – saves on energy running costs
- > Weatherproof RJ45 communication port – speed adjustment by external pool controller, pool cover or heat pump
- > Backwash speed cycling technology – effective media cleaning and reducing wasted water
- > Programmable boost cycling – improved surface skimming and cleaner pool



Depend on Davey

DAVEY

SilensorPro

Premium VSD400 Pool Pump



Large 4.5 litre lint pot provides for longer intervals between cleaning

Weatherproof RJ45 communication port for communication & connecting to external pool control systems or pool heaters

Fully variable frequency drive with user friendly selectable speed dial

Multi-coloured LED indicator light for operating conditions and warnings

Loss of prime protection to protect the pump when there is no water inside the pump

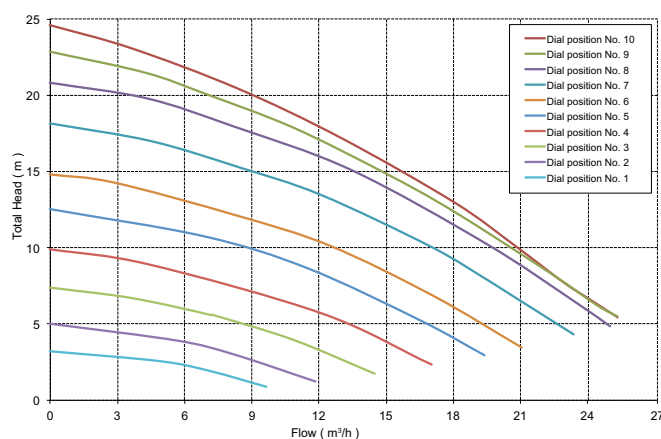
Drain plug enables quick draining of the casing for easy removal and maintenance

High performance water cooled motor for ultra quiet, efficient use all year round

ELECTRICAL DATA

Voltage (V)	240
Supply frequency (Hz)	50/60
Motor input power (W/hp)	120W/0.16hp @ Dial 1 660W/0.85hp @ Dial 5 1,630W/2.2hp @ Dial 10 Variable speed @ Backwash
Motor speed (rpm)	1,050 to 3,100
Backwash (rpm)	Variable speed
Enclosure class (IP)	45
Insulation class	F
Power lead length	3m

HYDRAULIC PERFORMANCE

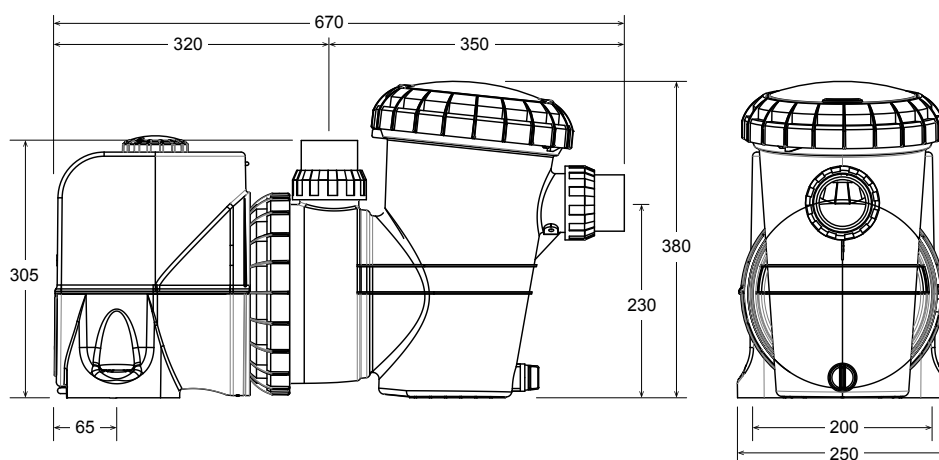


OPERATING LIMITS

Max. water temperature	Max. ambient temperature
40°C	50°C

DIMENSIONS (mm)

Model	Mounting Holes Diameter	Inlet/Outlet PVC	Net Weight (kg)
SP400PV	10	63	14.5



daveyeurope.eu | info@daveyeurope.eu

This literature is not a complete guide to product usage. All images provided in this document are for illustration purposes only. Further information is available from your Davey Dealer, Davey Support Centre and from the relevant product Installation and Operating Instructions. Must be read in conjunction with the relevant product Installation and Operating Instructions and all applicable statutory requirements. Product specifications may change without notice. © Davey is a registered trademark of Davey Water Products Pty Ltd. © Davey Water Products Pty Ltd 2016.

DAVEY

Depend on Davey